



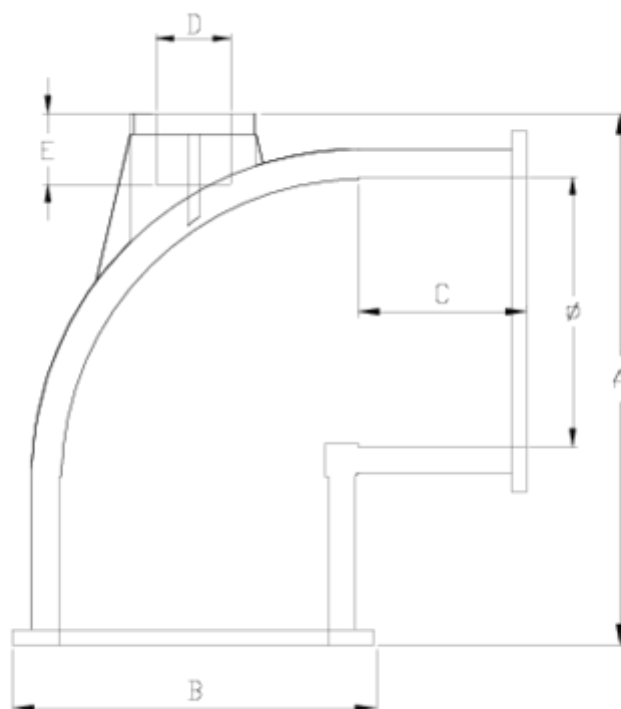
Netvitc System pressure fittings

"AIR" PVC Netvitc 90° elbow, solvent socket outlet ITEM 55N



REFERENCE	DESCRIPTION	Net weight	Volumen (m ³)	Gross weight	Unidades lote
101N590	"AIR" NETVITC SYSTEM 90° ELBOW S/SOCKET 90-25	0,8279	0,04717	7,265	8
101N592	"AIR" NETVITC SYSTEM 90 ELBOW S/SOCKET 110-32	1,347	0,04880	11,536	8
101N594	"AIR" NETVITC SYSTEM 90° ELBOW S/SOCKET 125-63	1,8	0,06150	11,78	6
101N596	"AIR" NETVITC SYSTEM 90° ELBOW S/SOCKET 160-63	3,43	0,06150	7,84	2
101N597	"AIR" NETVITC SYSTEM 90° ELBOW S/SOCKET 200-63	5,345	0,04836	11,53	2





ITEM 55N | "AIR" PVC Netvitc 90° elbow, solvent socket outlet

CÓDIGO	f	PESO	BRIDA	A	B	C	D	E	PN	MEDIDA
1N590	90	828	90	174	121	50	25	21	PN10	MÉTRICO
1N592	110	1347	110	204	144	61	32	31	PN10	MÉTRICO
1N594	125	1775	125	245	159	70	63	36	PN10	MÉTRICO
1N596	160	3430	160	299	201	87	63	36	PN10	MÉTRICO
1N597	200	5345	200	347	251	106	63	36	PN10	MÉTRICO



Product Documents



Product Certificates

Company Certificates

